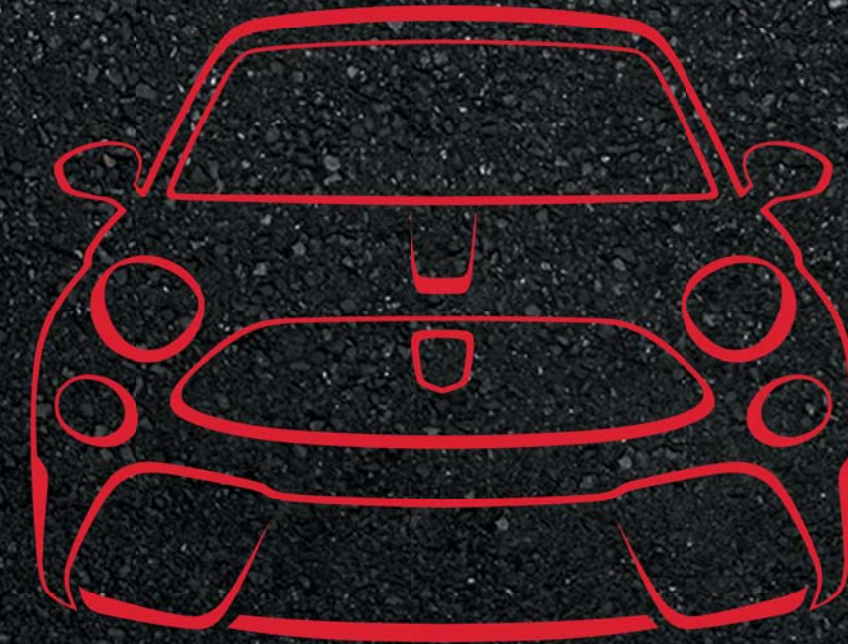


The information and images in this brochure are based on the current technical data when going to print. This brochure is designed to provide general product information. As part of a policy of continuous specification improvements, Abarth & C. S.P.A. reserves the right to modify specifications, technical equipment, options and colours at any time. For the latest details, please contact your authorised Abarth dealership or visit abarth.com



**ADDICTED TO PERFORMANCE.
SINCE 1949.**

www.abarth.com



595

DOWNLOAD
24hABARTH MOBILE
Available on the
The App that brings you information, services and support

CALL
24hABARTH
0039022276400
Customer Service

MORE PASSION
Visit Abarth's on-line shop at www.abarthstore.com

MORE CARE
myAbarth
Take care of your Abarth in one click on abarth.mopar.eu

SHARE ON

COMMUNITY

[THE SCORPIONSHIP]
ONLY FOR REAL ABARTHISTI

**ARE YOU READY FOR
THE NEXT LEVEL?**



The New Abarth 595 range.

Three levels of enhanced performance. Engines delivering even more power: up to 180 HP.

Cutting edge features. The revolution of performance by Abarth is here.

Are you ready for the next level?



A PERFECT, BEAUTIFUL MADNESS.



"Motors, machines, motor-races, love of cars, passion of velocity. It is the illness, the very beautiful and mad illness which has reached the whole humanity, which has made ourselves those ardent admirers of what is more and more swift, of what is more and more mechanically perfect. In this research of perfection, in these experiments which come out very often of the industrial branch for librating in pure passion, for at last transforming theirselves in greater safety for whoever travels and greater engine efficiency, we have found friends, patient collaborators, experienced technicians, who have helped us, who have believed in us."

CARLO ABARTH



Addicted to performance. Since 1949.

Transforming small cars into performance cars, exploiting every aspect to deliver the ultimate driving experience.

This is the Abarth spirit since 1949.



1953

Mille Miglia 1953: The Abarth-Ferrari 2000 with a modular body; a great technological innovation that made it possible to significantly reduce the weight of the car and also facilitate easy access to the engine and other key components for the mechanics.



1957

Abarth 750 Pininfarina cars were specially built to Abreak records - Between 24th and 27th July, 1957, 11 records at Monza were broken over 5000 km in 3 hours with Cabianca, Cattini, Guarnieri, Manfredini and Poltronieri.

1962-1967

Six consecutive victories in the World Manufacturers' Championship with sports cars and saloon cars between 1962-1967. A period of great success with competitive cars in all categories and in all countries, giving numerous drivers a chance to savour a first place victory.



1965-1969

The banked racing circuit at Monza: four wins in the European Touring Car Manufacturers' Championship with the Fiat Abarth 1000 TC: 1965 with Ed Swart, 1966 with Giancarlo Baghetti, 1967 with Willi Kauhsen and 1969 with Marsilio Pasotti.



1969

At Imola in 1969, the introduction of the Abarth 2000 SE Sport, of which 25 examples were made, let numerous private race drivers achieve victories in both circuit racing and time trials. In this car, debuting the climb of the Ampus, Peter Schetty was the winner.



1975

The rallies and the Fiat Abarth 124 Rally which won the European Championship in 1975 with Maurizio Verini (in the photo at the rally on the Island of Elba), who also finished second three times in the World Championships 1973-1975.

**PERFORMANCE
IN YOUR HANDS.**



Start the challenge.

Climb aboard and meet the challenge. In the New Abarth 595 everything has been enhanced to exceed expectations. Grab the steering wheel and put it to the test: performance in your hands.

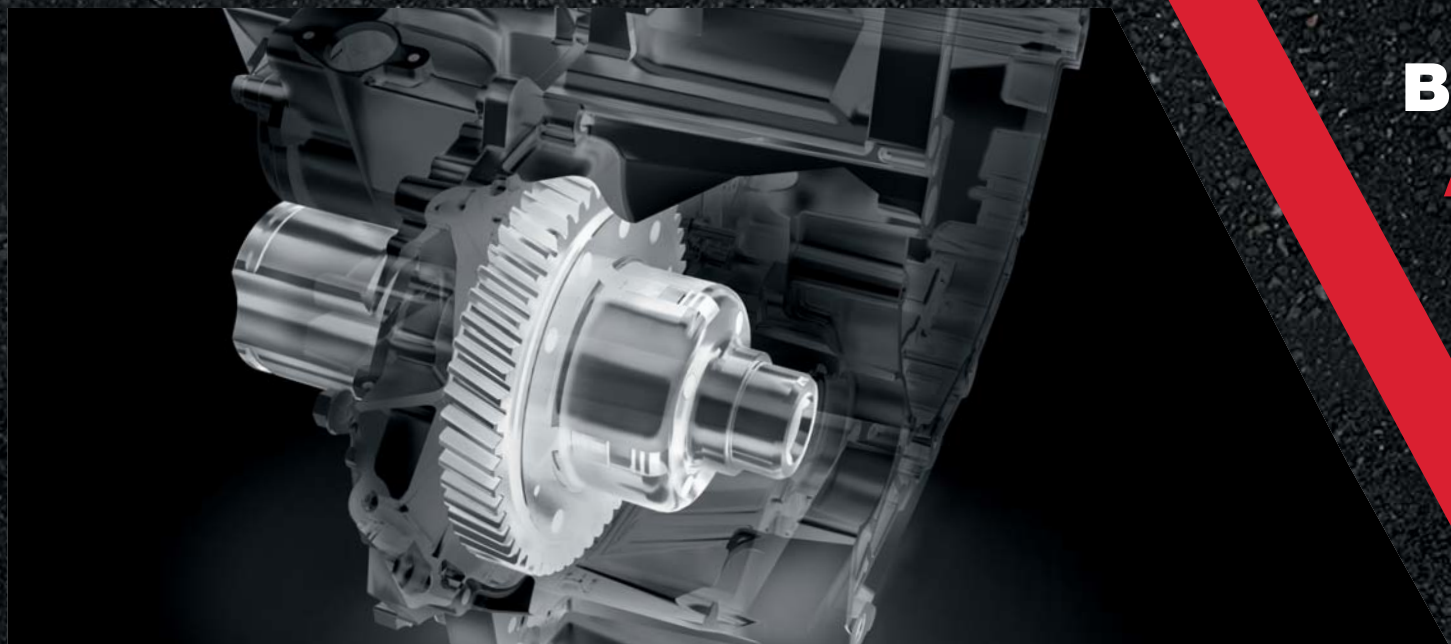
**DESIGNED
TO PERFORM.**



Beyond style, performance.

Every single detail of the New Abarth 595 was designed to perform. Even more cooling efficiency with the new front bumper design. Even more visibility day and night with the poly-elliptical headlamps. Even more driving control with the new sporty ergonomic steering wheel. This is the New Abarth 595, designed to perform.

ADVANCED CONTENT SOLUTIONS IN A CONDENSED SPACE.

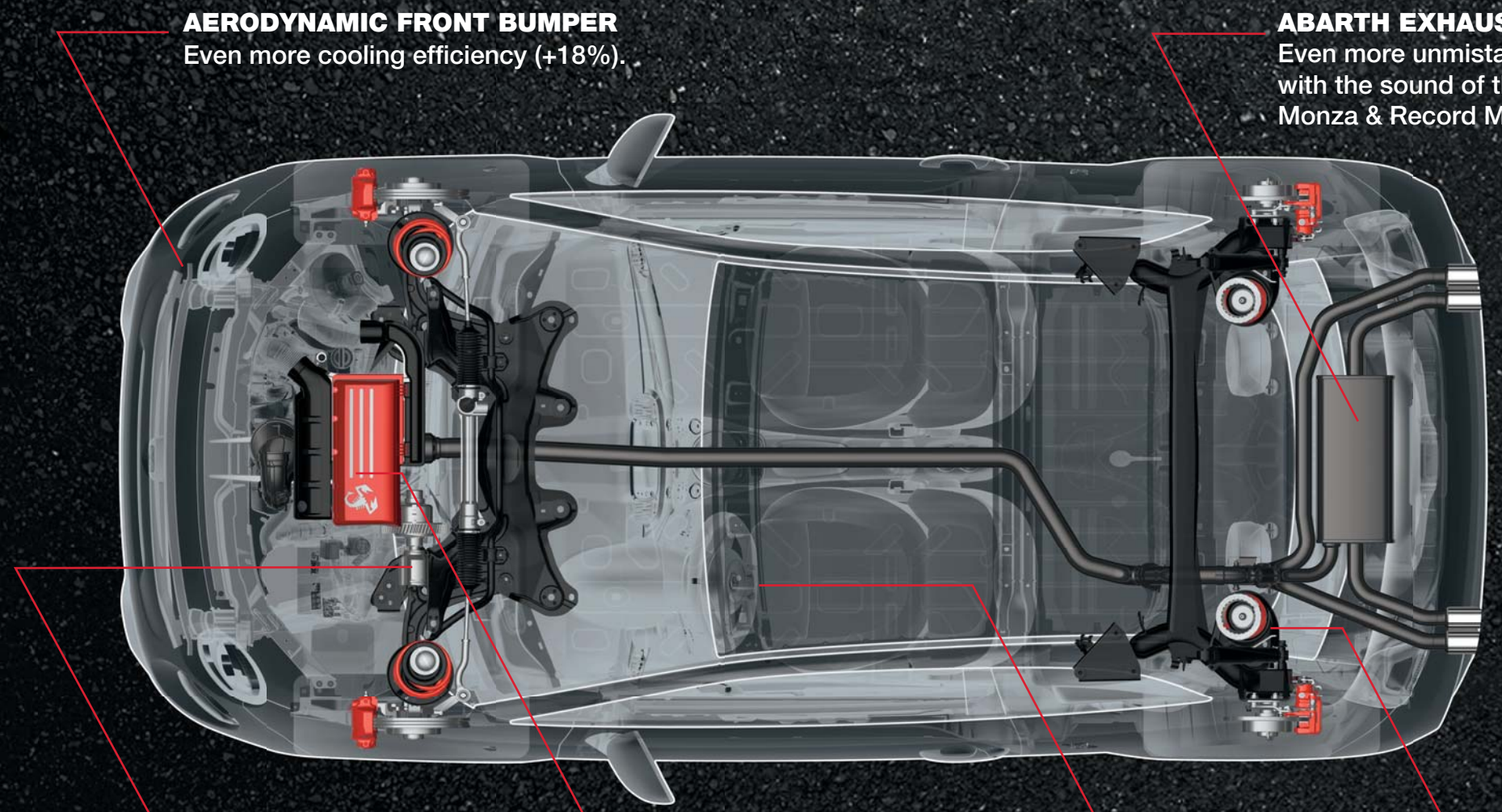


**BEST IN CLASS
ACCELERATION**

**MAX POWER
180 HP**

Pure power for greater performance.

*The New Abarth 595 is packed with solutions that guarantee the highest road-holding, in every situation.
One for all: in the 595 Competizione with 180 HP, the Abarth D.A.M., Mechanical Limited Slip Differential is available.
The best technology for greater performance.*



AERODYNAMIC FRONT BUMPER
Even more cooling efficiency (+18%).

ABARTH EXHAUST
Even more unmistakable
with the sound of the Record
Monza & Record Modena.

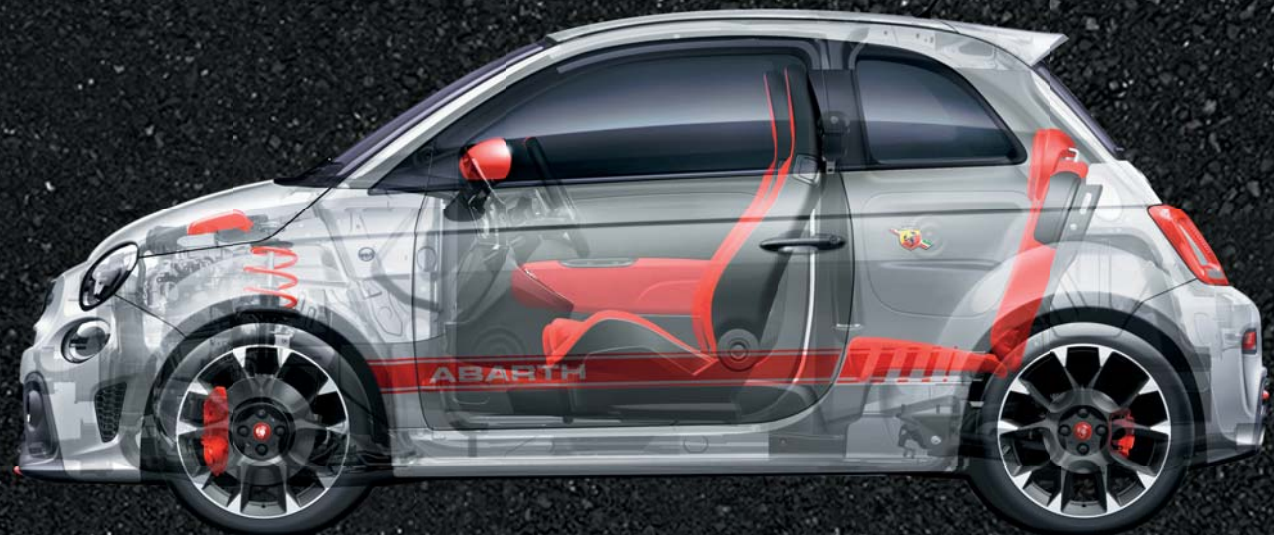
ABARTH D.A.M.
Even more control and
efficiency with the Mechanical
Limited Slip Differential.

MORE POWERFUL ENGINES
More performing engines
on 595 and 595 Turismo.

**NEW SPORTY
STEERING WHEEL**
Driving precision.

**ABARTH SUSPENSION
BY KONI**
Even more handling
and agility.

READY FOR THE CURVES.



Abarth DNA.

Mechanical and technical solutions derived from racing: this is what makes an Abarth unique.
The result of a know-how that lets the 595 stay one step ahead.

NEW 7" TFT WITH ABARTH RACING GRAPHIC
Even more control over your performance.

POLY-ELLIPTICAL HEADLIGHTS
Sporty driving night and day.

FRONT BUMPER WITH HONEYCOMB GRILLE
And high-relief Abarth lettering.



NEW SEATS
Even more grip.

NEW ALLOY WHEELS
For better brake cooling.

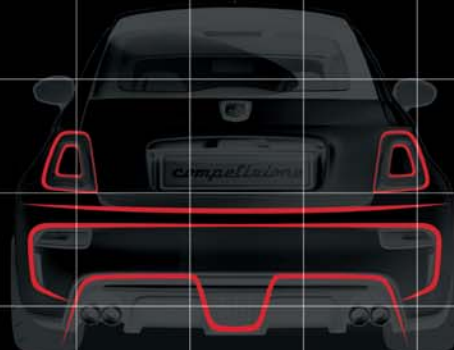
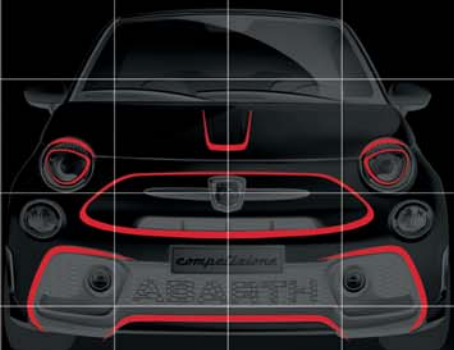
NEW STEERING WHEEL IN ALCANTARA® & CARBON FIBRE
Standard on the 595 Competizione, even more racing feeling.

ENGINEERED TO BE AN ABARTH.



Born under the sign of Scorpion.

Behind every Abarth there's something more. There is the skillful touch of engineers, designers, mechanics and highly qualified technicians who count on exceeding themselves every day. There is passion of those who choose an Abarth, a community that shares the adrenaline of Scorpion and the passion for driving. This is how the uniqueness of the New Abarth 595 was born.



NEW 595 RANGE



Do you want to customise your Abarth 595?
Go to the dedicated Conversion Kits section.
<http://www.abarth.com/kit-accessories>

ABARTH 595



**WEIGHT
TO POWER RATIO**

7,1 kg/HP

**ACCELERATION
0-100 km/h**

7,8 sec.

**MAX
POWER**

145 HP

**SPECIFIC
POWER
OF 106 HP/l**



First level. Ready, steady, go!

Abarth 595 is the starting model for those who want to enter into the Abarth world. 1.4 Turbo T-Jet with 145 HP, Torque Transfer Control and standard Sport Mode, new satin chrome finishes. It's time to start having fun. Seriously.

ABARTH 595



Insert driver to continue.

The Abarth 595 interior: new sporty fabric seats and steel pedals. A standard feature is the new Uconnect™ system with 5" touchscreen for the audio and car settings. The system integrates steering wheel commands with Bluetooth®, voice commands to safely manage your phone and audio streaming to listen to music directly from your smartphone. Moreover, thanks to Uconnect™ Live services, Abarth 595 becomes even more social with access to applications like Facebook and Twitter directly from the onboard system.

ABARTH 595

1.4 TURBO T-JET 145 HP

- Motor T-Jet 4-cylinders, 1368 cm³
- Power 145 HP (107 kW) 5500 r/m
- Maximum torque 206 Nm at 3000 r/m (Sport Mode)
- Acceleration 7.8 sec. (0-100 km/h)
(8 sec. sequential robotised gearbox)
- Maximum speed 210 km/h
- Weight/power ratio 7.1 kg/HP
- Available with sequential robotised gearbox with shift paddles

MAIN STANDARD FEATURES

- Visible Abarth dual exhaust in chromed steel
- TTC (Torque Transfer Control)
- Front suspensions with FSD (Frequency Selective Damping) technology
- Abarth braking system with ventilated 284x22 mm front brake discs
- Ventilated 240x11 mm rear brake discs
- Abarth 16" 8-spoke alloy wheels with 195/45 tyres
- Poly-elliptical headlights

- LED daytime running lights
- Abarth sports seats in fabric with height adjustment
- Sporty steel pedals
- Instrument panel with Sporty steel pedals colour display with advanced Sport Mode
- Manual climate control
- Sports leather steering wheel with viewfinder, steering wheel controls and chrome-satin details
- Leather cockpit
- Uconnect™ 5" radio touch, Bluetooth® with 6 speakers, audio streaming and USB/AUX sockets
- Uconnect™ LIVE Services
- Body colour dashboard
- Closable glovebox
- Matt black front and rear bumper inserts
- Body colour mirror caps with electric adjustment
- Satin chrome finish handles and badge holders
- Front bumper with honeycomb grille and high-relief Abarth lettering
- 595 side Logos
- Electrically powered soft top (on Convertible only)
- Rear parking sensors (on Convertible only)



Sporty steel pedals.



Uconnect™ radio 5" touch, Bluetooth® with 6 speakers, audio streaming and USB/AUX sockets.



T-Jet engine 4-cylinders, 1368 cm³.



LED daytime running lights, front and rear bumper matt black inserts.

ABARTH 595 *Turismo*



**WEIGHT TO
POWER RATIO**

6,3 kg/HP

**ACCELERATION
0-100 km/h**

7,3 sec.

**MAX
POWER**

165 HP

**SPECIFIC
POWER**

OF 121 HP/l



Second level: double score.

Abarth 595 Turismo competes on two levels: style and power. Standard features include Granturismo 17" rims and black brake calipers, dual chromed exhaust tailpipes and satin chrome mirror covers. Underneath it, all: 1.4 Turbo T-Jet 165 HP with Garret turbo and Abarth rear shocks by Koni.

Why choose between sportiness and design when you can win with both?

ABARTH 595 *turismo*



Inside, the best in style and technology.

Sporty seats in black leather, dark grey dashboard and leather steering wheel for a contrasting effect with satin chrome interior finishing. In addition, available upon request, best in class infotainment with Uconnect™ 7" HD Live: with the 7" touch display you can access the Uconnect™ Live services, navigator and GPS and, above all, the Abarth Telemetry that allows you to view maps of the main circuits, to measure your time and to have driving tips to improve your performance every day behind the wheel.

ABARTH 595 *Turismo*

1.4 TURBO T-JET 165 HP

- Motor T-Jet 4-cylinders, 1368 cm³
- Power 165 HP (121 kW) 5500 r/m
- Maximum torque 230 Nm at 3000 r/m (Sport Mode)
- Acceleration 7.3 sec. (0-100 km/h)
(7.4 sec. sequential robotised gearbox)
- Maximum speed 218 km/h
- Weight/power ratio 6.3 kg/HP
- Available with sequential robotised gearbox with shift paddles

MAIN STANDARD FEATURES

In addition to 595 contents

- Koni rear suspension with FSD technology (Frequency Selective Damping)
- High performance BMC air filter
- Garrett Turbo

- Abarth braking system with perforated and ventilated 284x22 mm front brake discs
- Perforated and ventilated 240x11 mm rear brake discs
- Painted black brake calipers
- High performance front brake pads
- Granturismo 17" alloy wheels with 205/40 tyres
- Leather sporty Abarth seats
- Sporty pedals with footrest, kick plate and gear knob in Alutex
- Fog lamps
- Tinted rear windows
- Matt grey treated dashboard
- Chrome-brushed finish mirror caps
- Body colour front and rear bumper inserts
- 595 Turismo rear logo
- Electrically powered soft top (only on Convertible)
- Rear parking sensors (only on Convertible)



Sequential robotised gearbox with shift paddles.



Available upon request, Uconnect™ radio Touch 7" HD Live with 6 speakers, Bluetooth® with audio streaming, USB/AUX sockets.



Sporty pedals with footrest, kick plate and gear knob in Alutex.



Available upon request, BeatsAudio™ system.

ABARTH 595 *competizione*



**WEIGHT TO
POWER RATIO**

5,8 kg/HP

**ACCELERATION
0-100 km/h**

6,7 sec.

**MAX
POWER**

180 HP

**SPECIFIC
POWER
OF 132 HP/l**



Third level: uncompromising performance.

Abarth 595 Competizione is equipped to push the sportiness to the limit. 180 HP of pure adrenaline with Garrett turbo, Abarth front and rear shock absorbers by Koni, "Record Monza" 4-tailpipes dual exhaust mode, fixed 4-piston front calipers by Brembo, Corsa 17" diamond alloy wheels, Abarth side stickers in Tar Cold Grey. An Abarth with no compromises.

ABARTH **595** *competizione*



Just go and drive it for yourself.

Abarth Corsa seats by Sabelt in black fabric with Tar Cold Grey shell; Tar Cold Grey dashboard; new leather and Alcantara® sporty steering wheel with carbon fibre finishing and viewfinder; Alcantara® wrapped cockpit; sporty pedals, kick plates and aluminum gear knob. A real pilot's habitat.

ABARTH 595 *competizione*

1.4 TURBO T-JET 180 HP

- T-Jet engine with 4-cylinders, 1368 cm³
- Power 180 HP (132 kW) at 5500 r/m
- Maximum torque 250 Nm at 3000 r/m (Sport Mode)
- Acceleration 6.7 sec. (0-100 km/h)
(6.9 sec. sequential robotised gearbox)
- Maximum speed 225 km/h
- Available with sequential robotised gearbox with shift paddles

MAIN STANDARD FEATURES

In addition to 595 Turismo contents

- Abarth exhaust with 4 tailpipes "Record Monza" valve
- Koni front and rear suspension with FSD technology
(Frequency Selective Damping)

- 4-piston fixed front red painted brake calipers in aluminum by Brembo
- Perforated and ventilated 305x28 mm front brake discs
- Perforated and ventilated 240x11 mm rear brake discs
- Corsa 17" alloy wheels with 205/40 tyres
- Fabric Abarth Corsa racing seats by Sabelt with Tar Cold grey shell
- Sports pedals with footrest and gear knob in aluminum and carbon fibre kick plate
- Sporty steering wheel in leather and Alcantara® with viewfinder and carbon details
- Alcantara® wrapped cockpit
- Dashboard and exterior details in Tar Cold Grey finishing
- 595 Competizione rear Logo
- Electrically powered soft top (on Convertible only)
- Rear parking sensors (on Convertible only)



Aluminum gear knob.



Sporty steering wheel in leather and Alcantara® with viewfinder and carbon details.



Sporty pedals in aluminum with footrest and carbon kick plate.



Available upon request, Uconnect™ radio Touch 7" HD Live with 6 speakers, Bluetooth® with audio streaming, USB/AUX sockets.

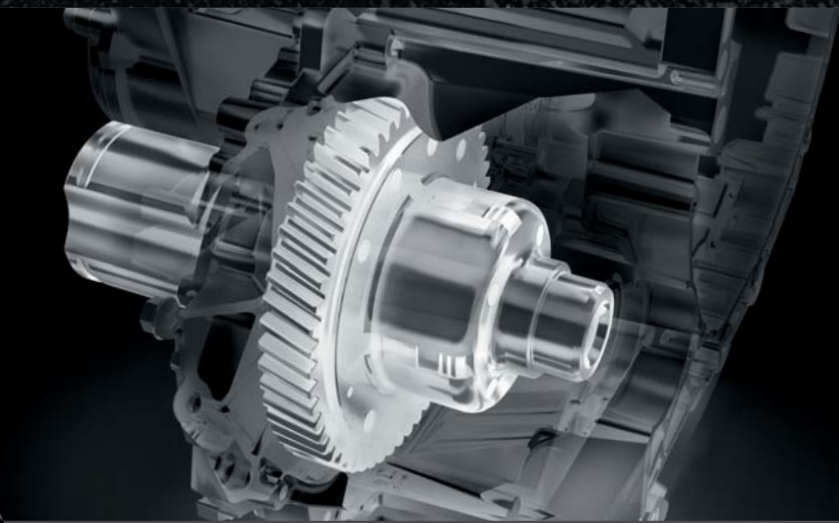
PERFORMANCE PACK, RACING ATTITUDE.



Abarth Corsa seats by Sabelt in leather and Alcantara® with carbon fibre shell.



Matt black Supersport alloy wheels.



Abarth D.A.M. (Mechanical Limited Slip Differential), only available on manual transmission.



Aluminum 595 roof cap.

Every road is a new challenge.

The New Abarth 595 Competizione with Performance Pack is ready for the track. Abarth D.A.M. (Mechanical Limited Slip Differential) to ensure maximum control of the 180 HP. Abarth Corsa seats by Sabelt in leather and Alcantara® with carbon fibre shell for a real driving feeling. Lighter sporty Supersport wheels in matt black. Hidden antenna with aluminum 595 roof cap and aesthetic customisation kit. Conquer the road.

CUSTOMISE YOUR ABARTH



RED PACK



BLACK PACK



WHITE PACK

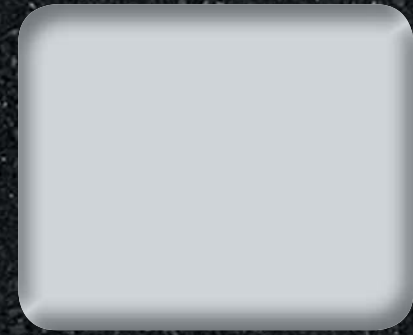
Choose your style.

Front and rear bumpers inserts, mirror and stickers in three different colours.

Three packs for three different styles but a unique world of reference: the New Abarth 595.

COLOURS

SOLID



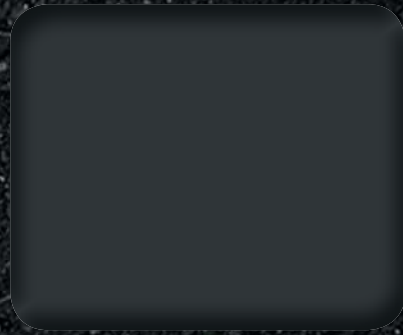
Gara White



Modena Yellow



Campovolo Grey



Pista Grey



Abarth Red

METALLIC



Record Grey



Trofeo Grey



Podio Blue



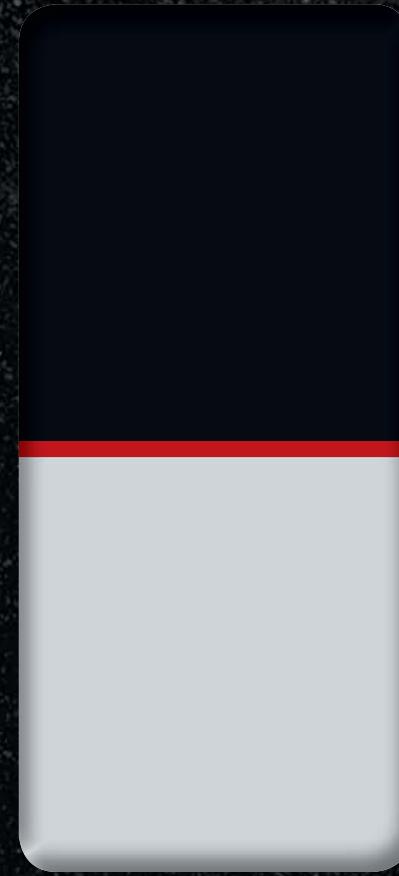
Scorpione Black



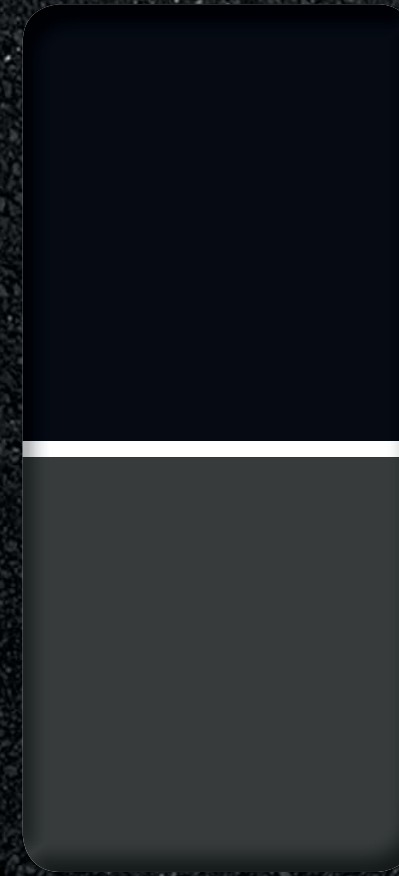
Iridato White

THREE LAYER

BI-COLOUR



Scorpione Black /
Gara White



Scorpione Black /
Record Grey



Scorpione Black /
Podio Blue

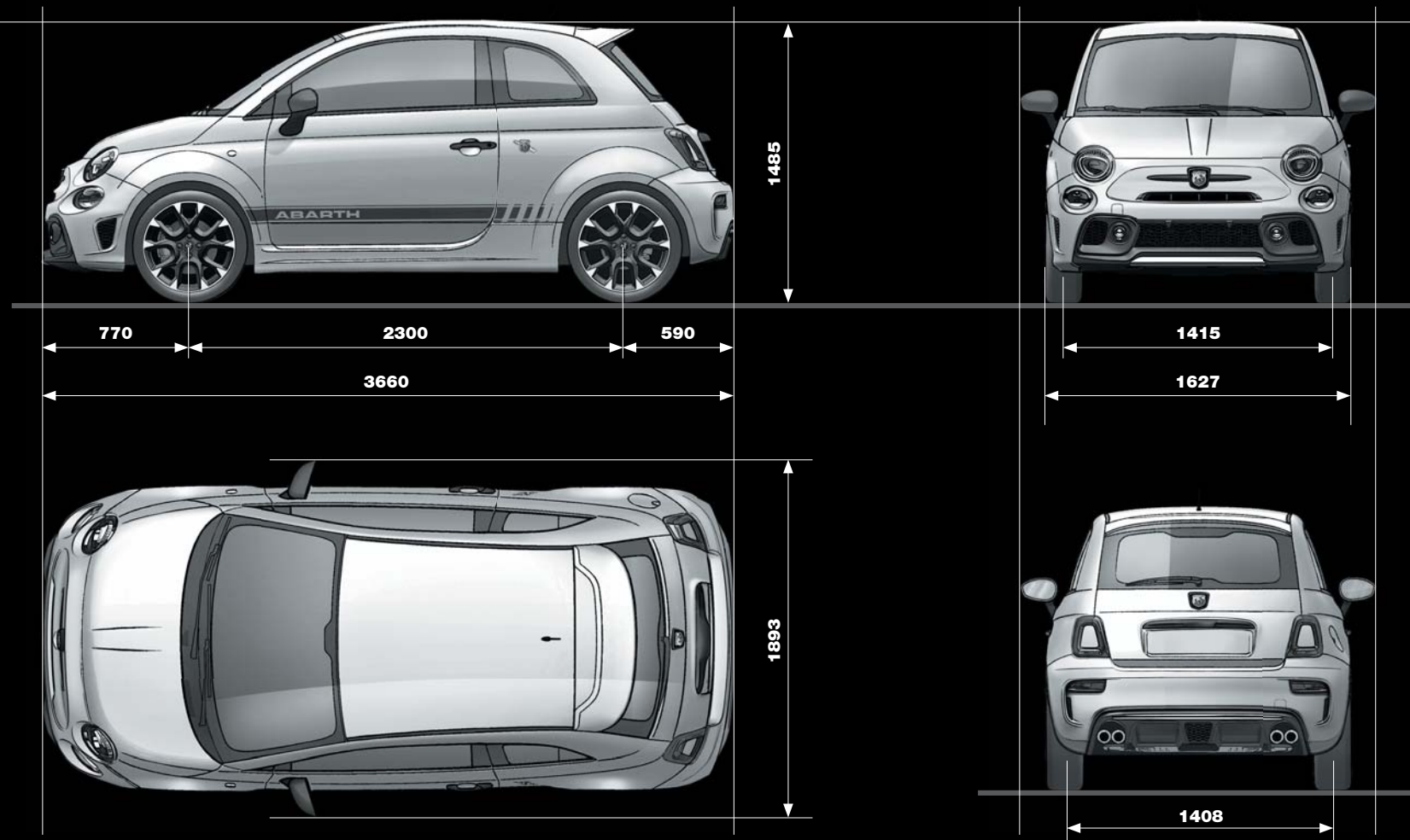


Pista Grey /
Abarth Red



Pista Grey /
Campovolo Grey

DIMENSIONS



PLEASE CHOOSE

SEATS



Black fabric
(standard on the 595)



Black leather
(standard on the 595 Turismo)



Natural leather



Red leather



Black fabric
(standard on the 595 Competizione)



Black leather/Alcantara®
with carbon shell



Natural leather/Alcantara®
with carbon shell

SOFT TOP



Black fabric



Grey fabric

PLEASE CHOOSE

ALLOY WHEELS



16"

	8 SPOKES Painted, from 6,5J x 16" with 195/45 tires	HERITAGE From 6,5J x 16" with 195/45 tires
COMPATIBLE WITH SNOW CHAINS	YES	YES
CODE	5EV	5ER
595	●	○
595 TURISMO	-	-
595 COMPETIZIONE	-	-

17"

	GRANTURISMO 7J x 17" with 205/40 tires	TOURING Diamond finish 7J x 17" with 205/40 tires	TROFEO Diamonds finish with charcoal grey background 7J x 17" with 205/40 tires	SPORT Diamonds finish 7J x 17" with 205/40 tires	CORSA Diamonds finish 7J x 17" with 205/40 tires	FORMULA Titanium treatment 7J x 17" with 205/40 tires	FORMULA Matt black treatment 7J x 17" with 205/40 tires	FORMULA Magnesium treatment 7J x 17" with 205/40 tires	SUPERSPORT Matt black treatment 7J x 17" with 205/40 tires
	YES	YES	YES	YES	YES	YES	YES	YES	YES
CODE	6JB	4AY	5FB	55E	6JC	5YN	68P	68Q	432
595	-	○	○	○	-	-	-	-	-
595 TURISMO	●	○	○	○	-	-	-	-	-
595 COMPETIZIONE	-	-	-	-	●	○	○	○	○

● standard ○ optional - not available

ABARTH BRAKING SYSTEM BY BREMBO



305x28 mm self-ventilated perforated brake discs
Aluminum 4-pistons fixed brake calipers
available colours: grey, yellow, red (standard on the Competizione), **black**

DISCS AND CALIPERS

Solid brake disc 595



Non painted calipers
(standard on 595)

Yellow Red Black

Perforated brake discs 595 Turismo



Black
(standard on 595 Turismo)

Yellow Red

HUB CAPS



Red Grey



Red Black Yellow

TECHNICAL SPECIFICATIONS

	595 145 HP		595 Turismo 165 HP		595 Competizione 180 HP	
ENGINE						
ENGINE TYPE, DISPLACEMENT, CYLINDERS, VALVES	T-Jet, 1368 cm ³ , 4-cylinders in line, 4 valves per cylinder		T-Jet, 1368 cm ³ , 4-cylinders in line, 4 valves per cylinder		T-Jet, 1368 cm ³ , 4-cylinders in line, 4 valves per cylinder	
MAXIMUM POWER	145 HP (107 kW) at 5500 rpm		165 HP (121 kW) at 5500 rpm		180 HP (132 kW) at 5500 rpm	
MAXIMUM TORQUE	206 Nm at 3000 rpm (Sport Mode)		230 Nm at 3000 rpm (Sport Mode)		250 Nm at 3000 rpm (Sport Mode)	
TURBOCHARGER	IHI RHF3-P		Garrett GT 1446		Garrett GT 1446	
TRANSMISSION						
5-SPEED GEARBOX	MANUAL	SEQUENTIAL ROBOTISED	MANUAL	SEQUENTIAL ROBOTISED	MANUAL	SEQUENTIAL ROBOTISED
PERFORMANCE						
TOP SPEED (km/h)	210		218		225	
ACCELERATION 0-100 km/h	7.8	8.0	7.3	7.4	6.7	6.9
FUEL CONSUMPTION and EMISSIONS LEVEL						
EXTRA-URBAN CONSUMPTION (l/100 km)	7.9	7.6	7.9	7.6	7.9	7.6
EXTRA-URBAN CONSUMPTION (l/100 km)	4.9	4.7	4.9	4.7	4.9	4.7
COMBINED CONSUMPTION (L/100 km)	6.0	5.8	6.0	5.8	6.0	5.8
CO ₂ EMISSIONS (g/km)	139	134	139	134	139	134
EMISSIONS STANDARD	EURO 6		EURO 6		EURO 6	

	595 145 HP	595 Turismo 165 HP	595 Competizione 180 HP
EXHAUST AND AIR FILTER			
EXHAUST	ABARTH CHROMED TWIN EXHAUST	ABARTH CHROMED TWIN EXHAUST	DUAL MODE "RECORD MONZA" EXHAUST SYSTEM WITH 4 EXIT TIPS
FILTER	STANDARD FILTER	HIGH PERFORMANCE BMC FILTER	HIGH PERFORMANCE BMC FILTER
SUSPENSIONS			
FRONT	McPherson with anti roll-bar	McPherson with anti roll-bar	McPherson with anti roll-bar
REAR	Torsion beam with anti roll-bar	Torsion beam with anti roll-bar	Torsion beam with anti roll-bar
RIDE	Lowered sports suspension	Lowered sports suspension	Lowered sports suspension
SHOCK ABSORBERS			
FRONT	Telescopic with FSD valve (frequency selective damping)	Telescopic with FSD valve (frequency selective damping)	KONI with FSD (frequency selective damping)
REAR	Telescopic	KONI with FSD (frequency selective damping)	KONI with FSD (frequency selective damping)
BRAKES			
FRONT (mm)	Self-ventilated and Ø 284x22 brake discs	Self-ventilated and perforated Ø 284x22 mm brake discs	Self-ventilated 305x28 mm perforated rear brake discs, Brembo aluminum fixed brake calipers
REAR (mm)	Ø 240x11 rear brake discs	Perforated Ø 240x11 rear brake discs	Perforated Ø 240x11 rear brake discs
RIMS			
ALLOY	16" with 195/45 tyres	17" with 205/40 tyres	17" with 205/40 tyres
ELECTRICAL SYSTEM			
BATTERY	250 A/50 Ah	250 A/50 Ah	250 A/50 Ah

EQUIPMENT

	HATCHBACK			CONVERTIBLE		
	595	595 TURISMO	595 COMPETIZIONE	595C	595C TURISMO	595C COMPETIZIONE
ABARTH CHROMED TWIN EXHAUST	●	●	-	●	●	-
DUAL MODE "RECORD MONZA" EXHAUST SYSTEM WITH 4 EXIT TIPS	○	○	●	○	○	●
DUAL MODE "RECORD MODENA" EXHAUST SYSTEM WITH 4 EXIT TIPS	○	○	-	○	○	-
NOT PAINTED BRAKE CALIPERS	●	-	-	●	-	-
BLACK BRAKE CALIPERS	○	●	-	○	●	-
RED BRAKE CALIPERS	○	○	-	○	○	-
YELLOW BRAKE CALIPERS	○	○	-	○	○	-
FOUR-PISTON RED ALUMINUM FIXED BRAKE CALIPERS BY BREMBO	-	-	●	-	-	●
FOUR-PISTON GREY ALUMINUM FIXED BRAKE CALIPERS BY BREMBO	-	-	○	-	-	○
FOUR-PISTON YELLOW ALUMINUM FIXED BRAKE CALIPERS BY BREMBO	-	-	○	-	-	○
FOUR-PISTON BLACK ALUMINUM FIXED BRAKE CALIPERS BY BREMBO	-	-	○	-	-	○
REAR SPOILER	●	●	●	●	●	●
SPORTS LEATHER STEERING WHEEL WITH VIEWFINDER, STEERING WHEEL CONTROLS AND CHROME-SATIN DETAILS	●	●	-	●	●	-
LEATHER COVERED COCKPIT	●	●	-	●	●	-
SPORTY STEERING WHEEL IN LEATHER AND ALCANTARA® WITH VIEWFINDER AND CARBON DETAILS	-	-	●	-	-	●
ALCANTARA® COVERED COCKPIT	-	-	●	-	-	●
XENON HEADLIGHTS WITH HEADLIGHT WASHER	○	○	○	○	○	○
SEQUENTIAL ROBOTISED GEARBOX	○	○	○	○	○	○
TTC (TORQUE TRANSFER CONTROL)	●	●	●	●	●	●
PERFORMANCE PACK: Abarth Corsa seats by Sabelt in leather and Alcantara® with carbon fibre shell, matt black lighter Supersport wheels, Abarth D.A.M. (Mechanical Locking Differential), only available on manual transmission, Aluminum 595 roof cap, Abarth side stipes, mirror covers, bumper inserts (red, black or white).	-	-	○	-	-	-
PERFORMANCE PACK: Abarth Corsa seats by Sabelt in leather and Alcantara® with carbon fibre shell, matt black lighter Supersport wheels, Abarth D.A.M. (Mechanical Locking Differential), only available on manual transmission, Abarth side stipes, mirror covers, bumper inserts (red, black or white).	-	-	-	-	-	○

● standard ○ optional - not available

	HATCHBACK			CONVERTIBLE		
	595	595 TURISMO	595 COMPETIZIONE	595C	595C TURISMO	595C COMPETIZIONE
EXTERIORS						
SPORTY SIDE SKIRTS	●	●	●	●	●	●
PRIVACY GLASS	○	●	●	○	●	●
"SKY DOME" GLAZED ELECTRIC SUNROOF	○	○	○	-	-	-
PISTA GREY SOLID COLOUR	●	●	●	●	●	●
ABARTH RED SOLID COLOUR	○	○	○	○	○	○
MODENA YELLOW SOLID COLOUR	○	○	○	○	○	○
CAMPOVOLO GREY SOLID COLOUR	○	○	○	○	○	○
GARA WHITE SOLID COLOUR	○	○	○	○	○	○
SCORPIONE BLACK METALLIC COLOUR	○	○	○	○	○	○
RECORD GREY METALLIC COLOUR	○	○	○	○	○	○
PODIO BLUE METALLIC COLOUR	○	○	○	○	○	○
TROFEO GREY METALLIC COLOUR	○	○	○	○	○	○
IRIDATO WHITE THREE-LAYER COLOUR	○	○	○	○	○	○
PISTA GREY/CAMPOVOLO GREY COLOUR WITH WHITE SEPARATION LINER	-	○	○	-	○	○
SCORPIONE BLACK/GARA WHITE COLOUR WITH RED SEPARATION LINER	-	○	○	-	○	○
PISTA GREY/ABARTH RED COLOUR WITH WHITE SEPARATION LINER	-	○	○	-	○	○
SCORPIONE BLACK/RECORD GREY COLOUR WITH WHITE SEPARATION LINER	-	○	○	-	○	○
SCORPIONE BLACK/PODIO BLUE COLOUR WITH WHITE SEPARATION LINER	-	○	○	-	○	○
MATT GREY ABARTH SIDE STRIPES	-	-	●	-	-	●
ABARTH SIDE STICKER, MIRROR COVERS FAIRINGS, BUMPER INSERTS RED, WHITE OR BLACK	○	○	○	○	○	○
HIDDEN AERIAL WITH 595 ALUMINUM 595 ROOF CAP	○	○	○	-	-	-
FRONT BUMPER WITH HONEYCOMB GRILLE AND RAISED ABARTH LOGO AND HIGH-RELIEF ABARTH LETTERING	●	●	●	●	●	●
FRONT AND REAR BUMPER INSERT	MATT BLACK	BODY COLOUR	TAR COLD GREY	MATT BLACK	BODY COLOUR	TAR COLD GREY
REAR-VIEW MIRROR COVERS	BODY COLOUR	SATIN CHROME	TAR COLD GREY	BODY COLOUR	SATIN CHROME	TAR COLD GREY
EXTERNAL TRIMS (HANDLES, BADGE MOUNTING)	SATIN CHROME	SATIN CHROME	TAR COLD GREY	SATIN CHROME	SATIN CHROME	TAR COLD GREY

EQUIPMENT

	HATCHBACK			CONVERTIBLE		
	595	595 TURISMO	595 COMPETIZIONE	595C	595C TURISMO	595C COMPETIZIONE
INTERIORS						
BODY COLOUR DASHBOARD	●	-	-	●	-	-
MATT GREY DASHBOARD	-	●	-	-	●	-
TAR COLD GREY DASHBOARD	-	-	●	-	-	●
DASHBOARD WITH CARBON TRIM	-	-	○	-	-	○
HEIGHT-ADJUSTABLE STEERING WHEEL	●	●	●	●	●	●
50/50 SPLIT REAR SEAT BACKREST	●	●	●	●	●	●
HEIGHT-ADJUSTABLE DRIVER'S SEAT	●	●	○*	●	●	○*
PASSENGER SEAT WITH MEMORY	●	●	○*	●	●	○*
LINED HEIGHT-ADJUSTABLE REAR HEADRESTS	●	●	●	●	●	●
ABARTH FABRIC SPORT SEATS	●	-	-	●	-	-
ABARTH LEATHER SPORT SEATS	○	●	○	○	●	○
ABARTH CORSA BLACK FABRIC SEATS BY SABELT WITH TAR COLD GREY SHELL	-	-	●	-	-	●
LEATHER AND ALCANTARA® ABARTH CORSA SEATS BY SABELT WITH CARBON SHELL	-	○	○	-	○	○
INFOTAINMENT						
UCONNECT™ RADIO 5" TOUCHSCREEN DAB WITH 6 SPEAKERS, AUX-IN AND USB PORT	●	●	●	●	●	●
HANDS-FREE BLUETOOTH® WITH STEERING WHEEL CONTROLS AUDIO STREAMING	●	●	●	●	●	●
LIVE SERVICES	●	●	●	●	●	●
UCONNECT™ RADIO NAV 5" TOUCHSCREEN DAB WITH 6 SPEAKERS, AUX-IN AND USB PORT	○	○	○	○	○	○
UCONNECT™ RADIO NAV 7" TOUCHSCREEN DAB WITH 6 SPEAKERS, AUX-IN AND USB PORT	○	○	○	○	○	○
APPLE CARPLAY / ANDROID AUDIO (SMARTPHONE MIRRORING)**	○	○	○	○	○	○
480 W BEATSAUDIO™ SYSTEM WITH 4 165 MM SPEAKERS, ONE 200 MM SUBWOOFER AND 2 TWEETERS	○	○	○	○	○	○

● standard ○ optional - not available

	HATCHBACK			CONVERTIBLE		
	595	595 TURISMO	595 COMPETIZIONE	595C	595C TURISMO	595C COMPETIZIONE
COMFORT AND FUNCTIONALITY						
MANUAL CLIMATE CONTROL	●	●	●	●	●	●
AUTOMATIC CLIMATE CONTROL	○	○	○	○	○	○
FOG LIGHTS	○	●	●	○	●	●
POLY-ELLIPTICAL HEADLIGHTS	●	●	●	●	●	●
DAYTIME RUNNING LIGHTS (LED DRL)	●	●	●	●	●	●
DUALDRIVE ELECTRIC POWER STEERING WHEEL WITH SPORT FUNCTION	●	●	●	●	●	●
ELECTRIC WINDOWS AND ELECTRIC DOOR LOCKING	●	●	●	●	●	●
HEATED DOOR MIRRORS	●	●	●	●	●	●
REMOTE CONTROL	●	●	●	●	●	●
FIX&GO TYRE INFLATION/REPAIR KIT	●	●	●	●	●	●
STORAGE COMPARTMENT IN THE DASHBOARD	●	●	●	●	●	●
CENTRAL TUNNEL WITH USB/AUX-IN PORTS AND CUP HOLDERS	●	●	●	●	●	●
7" TFT DIGITAL DISPLAY WITH ADVANCED SPORT MODE	●	●	●	●	●	●
SMOKERS' KIT	○	○	○	○	○	○
DAY/NIGHT ELECTROCHROMIC INTERIOR REAR-VIEW MIRROR	○	○	○	○	○	○
WIND STOP	-	-	-	○	○	○
PARKING SENSORS	○	○	○	●	●	●
SAFETY						
FRONT DRIVER AND PASSENGER SIDE AIRBAGS	●	●	●	●	●	●
DRIVER KNEE BAG	●	●	●	●	●	●
SIDE AIRBAGS	●	●	○*	●	●	○*
WINDOW BAGS	●	●	●	●	●	●
ABS + EBD	●	●	●	●	●	●
ESC, ASR, HILL HOLDER	●	●	●	●	●	●
TPMS (TYRE PRESSURE MONITORING SYSTEM)	●	●	●	●	●	●

* Only with Abarth sports seats in leather ** available as of October 2016